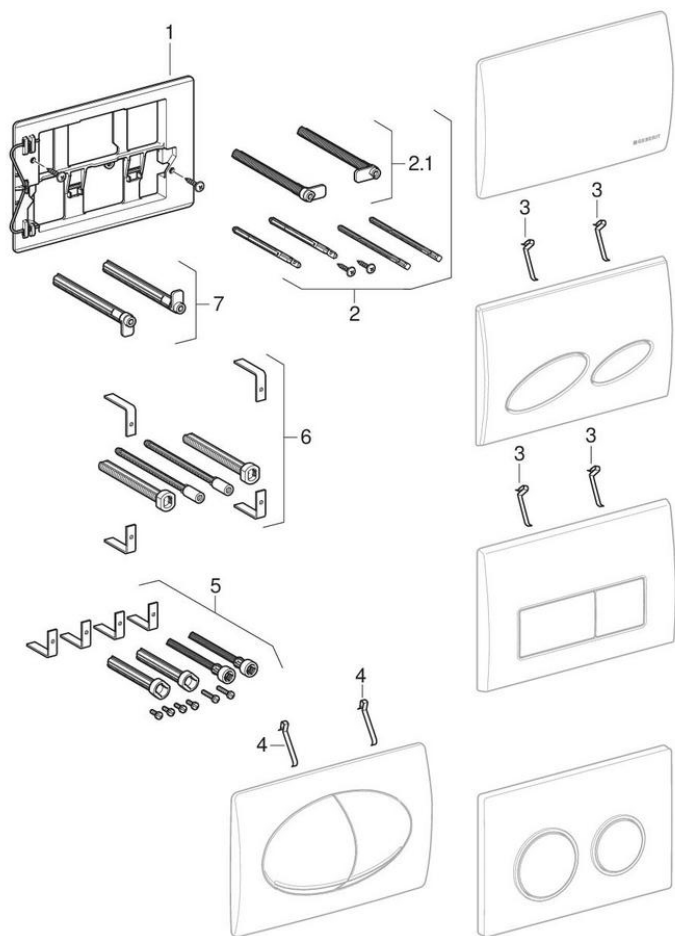


## Flush plates Artline, Kappa, for dual flush

1998 -



### Characteristics

Year of manufacture from	1998
Dimensions / Design	21.3 x 14.2 cm
Range	Artline, Kappa20, Kappa21, Kappa50

### Valid for articles

115.228.10.1	115.228.11.1	115.228.21.1	115.228.46.1
115.228.CG.1	115.228.DK.1	115.228.DT.1	115.228.DW.1
115.228.EP.1	115.228.FB.1	115.228.FR.1	115.228.GM.1
115.228.KB.1	115.230.21.1	115.240.KH.1	115.240.KJ.1
115.240.KK.1	115.240.KL.1	115.240.KM.1	115.240.KN.1
115.258.00.1	115.260.11.1	115.260.21.1	115.260.46.1
115.260.HC.1	242.483.KH.1	242.483.KJ.1	242.483.KK.1
242.483.KL.1	242.483.KM.1	242.483.KN.1	115.666.11.1
115.666.21.1	115.666.46.1	115.228.45.1	115.228.81.1
115.228.BM.1	115.228.BN.1	115.228.BP.1	115.228.FK.1
115.228.FN.1	115.228.FQ.1	115.666.10.1	115.666.BN.1
115.666.BP.1	115.666.CG.1	115.666.DW.1	115.666.EP.1
115.666.FK.1	115.666.FN.1	115.666.FQ.1	115.666.GM.1

### Related spare parts

- Overview flush plates and cover plates for Kappa concealed cisterns
- Kappa concealed cisterns 15 cm (UP200)
- Kappa concealed cisterns 15 cm (UP120, Artline), also for PEX connector

**Brand** Geberit

**Type** Artline, Kappa, Kappa20, Kappa21, Kappa50

#	Art. no.	Description	Remarks
1	240.646.00.1	Geberit mounting frame for flush plate Kappa and Artline	
2	240.639.00.1	Geberit set of actuator rods for flush plate	For Kappa/Artline
2.1 / 7	240.173.00.1	Geberit set of distance bolts (2 pc.)	
3	241.295.00.1	Geberit set of springs for flush plate (10 pc.)	
4	813.514.00.1	Geberit spring for flush plate	
5	240.938.00.1	Geberit extension set for Sigma, Omega and Kappa concealed cisterns	For Kappa/Artline from 2006
6	240.058.00.1	Geberit extension set for Delta and Twinline concealed cisterns	For Artline until the end of 2005