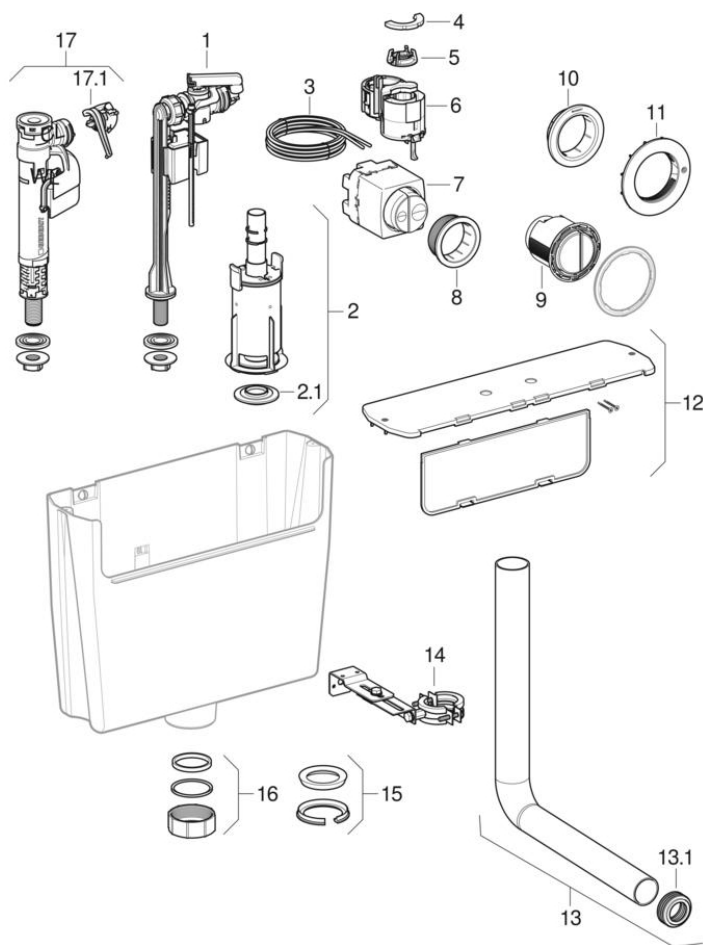


Cisterns for low height furniture

2004 -



Brand Geberit

Characteristics

Year of manufacture from	2004
Dimensions / Design	Cistern: 45 x 35 cm
Range	Cistern for low height furniture

Valid for articles

109.720.00.1	109.721.00.1	109.722.00.1	109.723.00.1
109.721.00.2	109.724.21.2	109.724.21.1	

Related spare parts

- WC flush controls with pneumatic flush actuation, single flush, with locked nuts, concealed actuator, for furniture
- Geberit Duofix elements for wall-hung WC, with cistern for low-height furniture

#	Art. no.	Description	Remarks
1	281.221.00.1	Geberit fill valve type 380AG, bottom water supply connection, 1/2", nipple made of plastic	
2	241.415.00.1	Geberit flush valve for low-height furniture cistern	
2.1	816.418.00.1	Geberit flat gasket for flush valve for exposed and concealed cistern: d=63mm	
3	240.575.00.1	Geberit double pneumatic hose, blue	For dual flush
3	256.000.00.1	Geberit pneumatic hose	For single flush
4	242.401.00.1	Geberit brass weight	
5	880.328.11.1	Geberit flushing device flange for flush valve, dual flush: white alpine	
6	240.573.00.1	Geberit flushing device for WC flush control with pneumatic flush actuation, single flush	For single flush
6	240.574.00.1	Geberit lifter for WC flush control with pneumatic flush actuation, dual flush	For dual flush
7	241.413.21.1	Geberit actuator for WC flush control with pneumatic flush actuation, dual flush, with locked nuts: gloss chrome-plated	
8	242.548.00.1	Geberit collar for hand-operated push button, for WC flush control with pneumatic flush actuation	
9	243.397.21.1	Geberit actuator for remote flush actuation type 01, pneumatic, for dual flush: gloss chrome-plated	
10	242.962.21.1	Geberit collar for remote flush actuation type 01, furniture actuator: gloss chrome-plated	
11	242.939.00.1	Geberit nut for remote flush actuations types 01, 10 and 70	
12	241.414.00.1	Geberit cover for low-height furniture cistern	
13	119.705.93.1	Geberit flush bend 90°, 39 x 35 cm, for low-height furniture cistern: d=50mm, A=39cm	
13.1	119.668.00.1	Geberit sleeve for flush pipe connection: d=45mm	

#	Art. no.	Description	Remarks
14	243.070.00.1	Geberit flush pipe fastening for low-height furniture cistern	
15	240.139.00.1	Geberit tilting seal for exposed cisterns AP123, AP124 and AP130	Up to year of manufacture 03.2019
16	240.431.11.1	Geberit union nut for flush bend: white alpine	From year of manufacture 04.2019
17	281.206.00.1	Geberit fill valve type 360, bottom water supply connection, 1/2", nipple made of plastic	
17.1	241.813.00.1	Geberit operating part set for fill valve type 360	