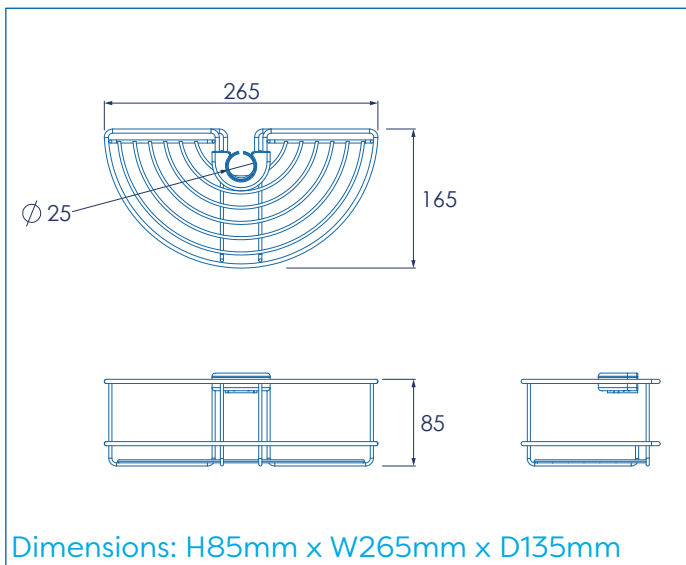


# QM261041 EASY FIT SHOWER RISER RAIL BASKET



**GUARANTEE**  
Consumer Statutory Rights Apply

Tel: +44 (0) 1264 365881  
Fax: +44 (0) 1264 356437  
Email: [info@croydex.co.uk](mailto:info@croydex.co.uk)  
Web: [www.croydex.com](http://www.croydex.com)

Printed material, designs and packaging are protected by copyright and design right.

## ILLUSTRATED

QM261041 Easy Fit Shower Riser Rail Basket

## CONFIGURATIONS

## MATERIAL

Mild Steel  
ABS & TPE Fixing Components

## COLOURS

Chrome Plated

## WEIGHT

266g

## PACKAGING

Full colour card wrap/half box

## FREQUENTLY USED APPLICATIONS

Residential

## FEATURES

Easy to fit clip on system requires no drilling and is more secure than most hook over baskets.

Will fit most round shower riser rails with a diameter between 19 and 25mm.

Can be easily removed and fitted to another compatible shower riser rail.

The deep basket is ideal for larger bottles.

## CARE AND MAINTENANCE

Clean surfaces with a damp cloth and wipe dry using a soft cloth.

Do not use chemical or abrasive cleaners as these may damage the surface finish.