

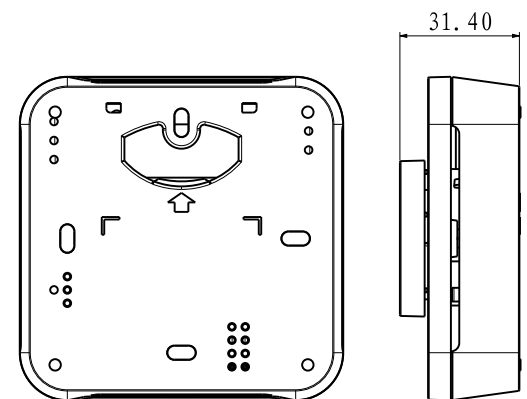
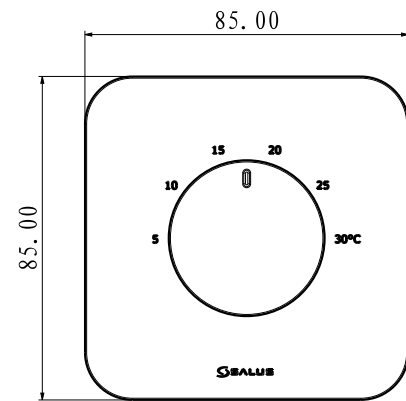


# Product Technical Datasheet

Electronic room thermostat for surface heating systems and radiators. The unit is surface mounted or on a wall outlet. The thermostat has a valve protection function and frost protection.

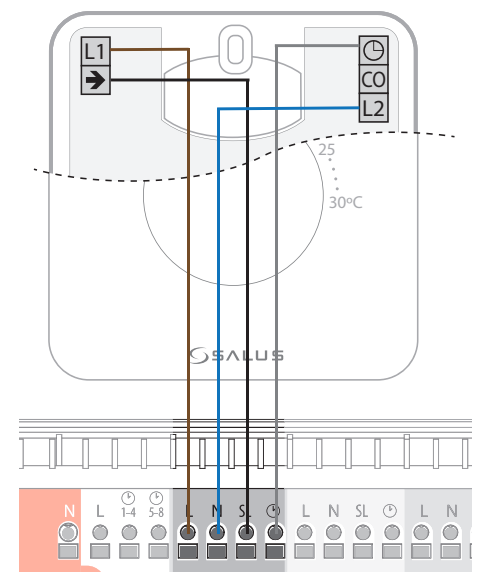
## Technische Merkmale:

<b>HTR24</b>	
Voltage	24V AC, +-10%, 50/60 Hz
Operating Performance	24 V: 1,8 W
Temperature setback	2K or 4K
Temperature range	5°C – 30°C
Span	+/- 0,5 K
Calibration	yes, with jumpers
Storage temperature	-20°C to + 60°C
Ambient temperature	max. 45 °C
Degree of protection	IP 30
CE conformity according to	Class II ( EN60730 )
Housing material	PC, V2
Colour	RAL9010 pure white
Connection	screw terminals
Weight	90 g net / 135 g gross
Puls-Weiten-Modulation	yes
Valve protection	yes
Heating and Cooling	yes, external Signal on CO (24V)
Cooling blocked	yes, with jumper
Dimensions	80mm x 80mm x 25mm



HTR24 Switching Bridges			
Switch	Features	ON	OFF
VP	Valve protection feature	<input checked="" type="checkbox"/> <input checked="" type="checkbox"/> <input type="checkbox"/>	<input type="checkbox"/> <input checked="" type="checkbox"/> <input checked="" type="checkbox"/>
PWM	Pulse-Width-Modulation	<input checked="" type="checkbox"/> <input checked="" type="checkbox"/> <input type="checkbox"/>	<input type="checkbox"/> <input checked="" type="checkbox"/> <input checked="" type="checkbox"/>
⌚	NSB Function (2° or 4°)	2°C <input checked="" type="checkbox"/> <input checked="" type="checkbox"/> <input type="checkbox"/>	4°C <input type="checkbox"/> <input checked="" type="checkbox"/> <input checked="" type="checkbox"/>
CO	Heating/Cooling	Enable <input checked="" type="checkbox"/> <input checked="" type="checkbox"/> <input type="checkbox"/>	Disable <input type="checkbox"/> <input checked="" type="checkbox"/> <input checked="" type="checkbox"/>

Connection	230V Description
⌚	Supply for temperature setback
N	Neutral
L	230 VAC Current Phase
←	Switching Output
CO	Changeover Heat / Cool



## Date/Version

11/16 – 1.0

## Technical disclaimer

Alle Rechte vorbehalten. Technische Änderungen vorbehalten.  
We reserve the right to alter our products without notice.  
This also applies to products already on order provided that such changes do not change the functionality of the product

## Contact

Salus Controls GmbH  
Dieselstraße 34, Mühlheim am Main  
D-63165, Germany  
Tel: +49 (0) 6108 825850  
info@salus-controls.de