

SAF ES BAS BB

SAFFRON Tap Range Saffron Eco start Basin Mixer with Clicker Waste Brushed Brass



Features:

- Eco Start technology saves energy by having cold water as the default central start position of the tap handle. Hot water is only activated when the tap lever is moved from the central position, so your boiler is not unnecessarily fired up.
- This tap has a flow regulator, which limits the flow of water to 5 litres per minute, reducing the amount of water you use.
- Long life ceramic cartridge for added durability and smooth control.
- Everything you need in the box including flexible tails and clicker waste so nothing to buy separately.
- On-trend brushed brass finish to make a statement in your bathroom.
- 10-year parts and 1 year labour guarantee for peace of mind.
- Also available in chrome and black.
- Co-ordinating Bathroom taps and Recess shower available.

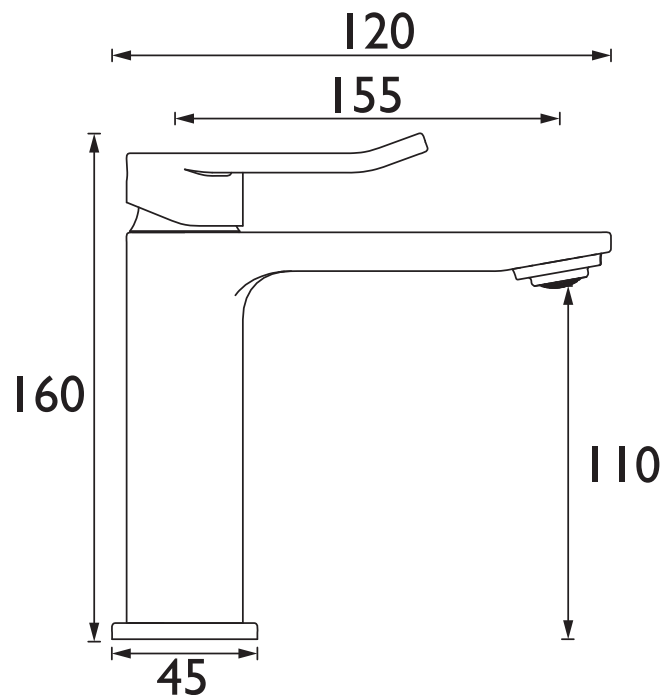
Product Certifications:



Specification

Product Type:	Bathroom Taps
Main Construction Material:	Brass
Mount Type:	Deck
Handle Type:	Loop
Connection Inlet:	1/2" BSP Flexible Tails
Connection Outlet:	M24 Coin Slot 5lpm Aerator
Number of Tap Holes:	1
Valve/Cartridge Type:	28mm Cold Start Upper Seal Cartridge
Plumbing System Requirements:	Suitable for all plumbing systems
Minimum Dynamic Pressure (bar):	0.5 bar
Maximum Dynamic Pressure (bar):	5 bar
Maximum Hot Water Temperature °C:	60°C
Maximum Static Pressure (bar):	10 bar
Flow Type:	Single
Isolation Included:	No

Dimensions (measurements in mm)



Flow Rates (l/min)

System Pressure (bar)	0.5	1	2	3	5
SAF ES BAS BB (mixed)	2.6	3.7	4.6	4.7	5

TECHNICAL
DATA
SHEET



BRISTAN

D1