

BRISTAN

Round Pop Up Basin Waste Slotted

Installation Instructions & User Guide



IMPORTANT: Please keep these instructions for future reference and request of replacement parts

Introduction

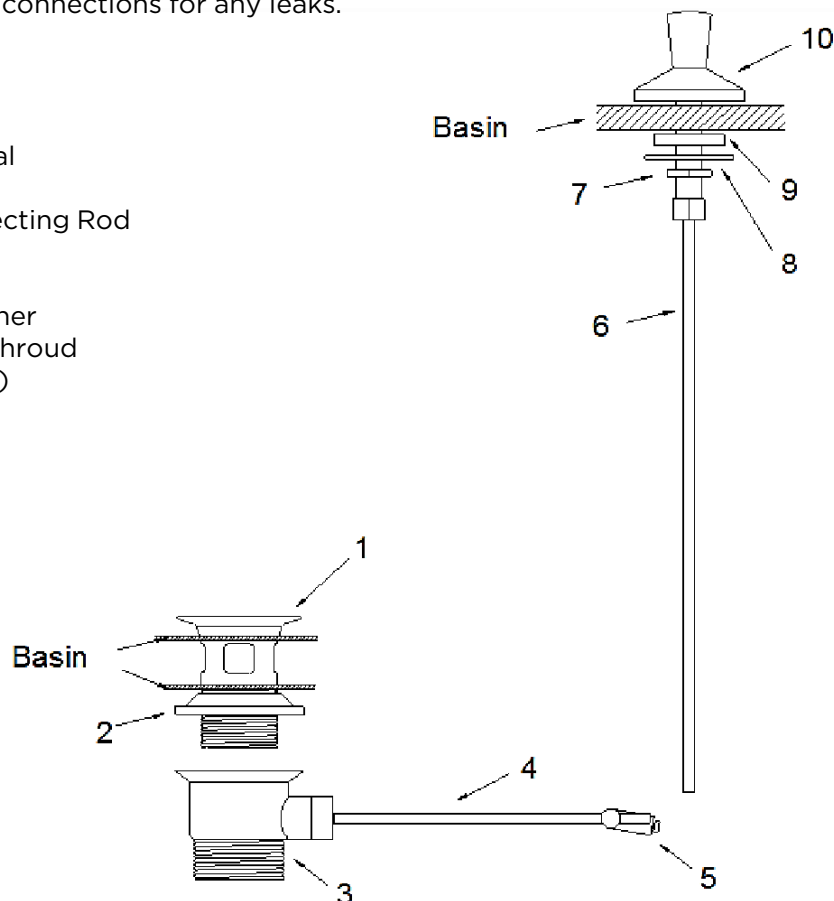
Thank you for choosing Bristan, the UK's leading taps and showers expert. We have designed this product with your enjoyment in mind. To ensure that it works to its full potential, it needs to be fitted correctly. These fitting instructions have been created to give you all of the information you need and, if you need any further help, please do not hesitate to give us a call on 0330 026 6273.

Installation

1. Identify all components are present prior to installation.
2. Fit the pop-up waste. Bed in the waste flange (1) to the basin with a good quality clear silicon sealant. This should compensate for any slight moulding imperfections that may be present around the waste area.
3. Fit the large rubber seal (2) to the underside of the basin after applying silicone sealant to both sealing surfaces, as shown in the diagram below. Secure by tightening the waste body (3) onto the flange's thread.
Remove any excess silicon sealant from the basin
4. Place the pop-up knob & shroud assembly (10) onto the basin & secure using the small foam washer (9), metal plate (8) & retaining nut (7) on the underside of the basin.
5. Use pop-up link (5) to connect the vertical (6) & horizontal (4) connecting rods.
6. Check all joints & connections for any leaks.

COMPONENTS

1. Waste Flange
2. Large Rubber Seal
3. Waste Body
4. Horizontal Connecting Rod
5. Retaining Nut
6. Metal Plate
7. Small Foam Washer
8. Pop-up Knob & Shroud
9. Plug (Not Shown)



BRISTAN

Notes:

BRISTAN

This booklet covers product code:

W BASIN13 C

Helpline
0330 026 6273

Bristan Group Limited
Birch Coppice Business Park, Dordon, Tamworth, Staffordshire B78
1SG

A Masco Company

Website:

www.bristan.com

Telephone: 0330 026 6273

Email: enquire@bristan.com

At Bristan, we want to make things as easy as possible for our customers. That's why we offer solid guarantees on all our products, effective from the date of purchase, to give you peace of mind.

To start your free guarantee, simply scan the QR code and Register your product.

Alternatively, visit www.bristan.com/register to register your product via a computer.

For full guarantee terms and conditions visit, www.bristan.com/guarantees



We Know & We Care