

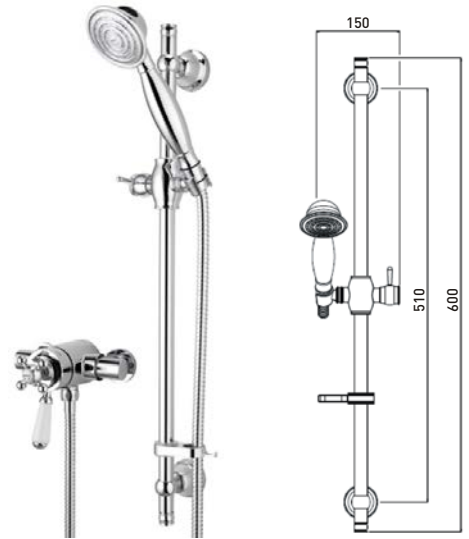
TECHNICAL DATA SHEET

REGENCY

Thermostatic Surface Mounted Shower Valve With Adjustable Riser

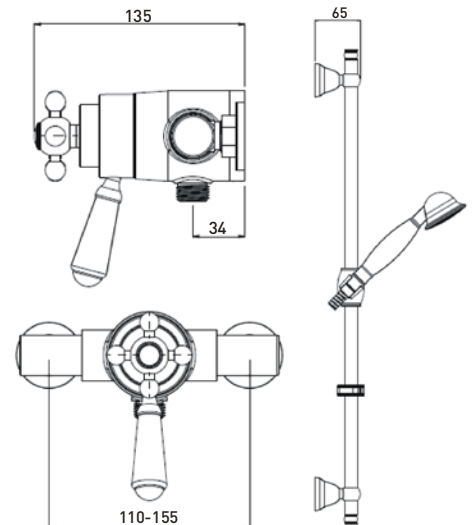
Product Specification

| | |
|---------------------|--|
| Product Code: | R2 SHXAR C |
| Finishes: | Chrome |
| Product Type: | Traditional |
| Construction: | Body is of Brass Construction |
| Cartridge Type: | Thermostatic |
| Supply: | Suitable for all plumbing systems, preferably balanced |
| Inlet Connections: | 15mm Compression Elbows |
| Outlet Connections: | G1/2" |
| Water Pressure: | Min 0.1 bar Max. 5.0 bar |
| Dimensions: | 110-155mm inlet centres |



Additional Information

- Dual Control – Flow and temperature are controlled separately giving accurate control of both
- Thermostatic cartridge maintains showering temperature to +/- 1 degree
- Automatic shut-off in the event of hot or cold water supply failure, thus reducing the risk of injury
- Factory set to a maximum of 43°C to eliminate the ability to select on unsafe temperature. Can be adjusted to user preference.
- Supplied with riser rail, 1.5m hose, hose retainer and a single function handset
- Supplied with 155mm pair of swivel inlet elbows. Valve can be fed from top, bottom or rear
- Chrome plated to BS EN 248



Flow Rates (litres per minute)

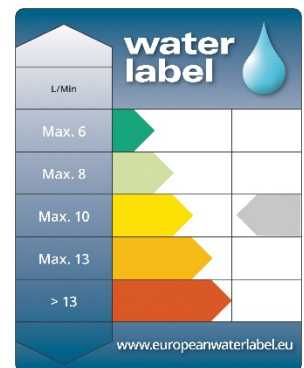
| System Pressure | 0.1bar | 0.2bar | 0.5bar | 1.0bar | 2.0bar | 3.0bar | 5.0bar |
|-------------------------|--------|--------|--------|--------|--------|--------|--------|
| With Flow Regulators | --- | --- | --- | 7.6 | 7.6 | 7.6 | 7.6 |
| Without Flow Regulators | 5.59 | 7.9 | 12.49 | 17.66 | 24.98 | 30.59 | 39.5 |

Compliance / Approvals

| | |
|--------------------|----------------|
| WRAS Approval No: | 1404020 |
| TMV2 Approval No: | BC1294/1013 |
| TMV2 Designations: | HP-SE and LP-S |

Technical Advice: For further information please call 0844 7016273 or email customer@bristan.com

Guarantee: 5 years covering manufacturing faults.



Bristan, Birch Coppice Business Park, Dordon, Tamworth, B78 1SG
Telephone: 0844 701 6274 Facsimile: 0844 701 6275
Web Site: www.bristan.com Email: enquire@bristan.com

