

SAF SHCVO C

SAFFRON Shower Range Saffron Recessed Dual Control Shower Valve Chrome



Features:

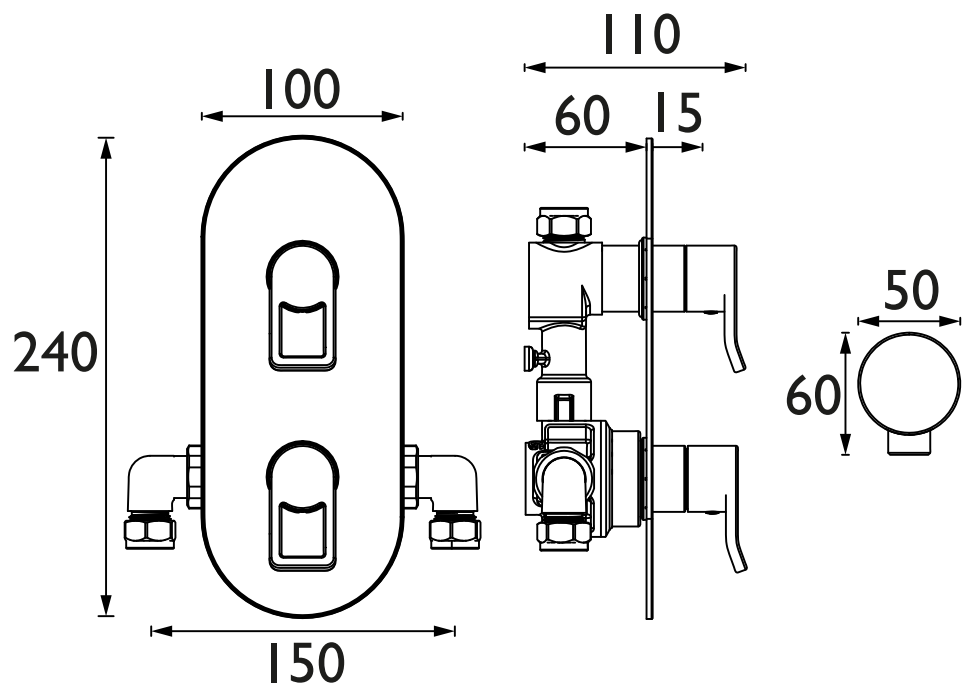
- Slim design recessed shower valve will fit into a cavity space as small as 35mm for hassle-free installation.
- Dual control - Flow and temperature are operated separately giving accurate control of both.
- Cartridge can be accessed from the front for easy servicing.
- Metal back plate and handles for added durability.
- Minimum cold water supply temperature is 5°C.
- Maximum hot water supply temperature is 80°C.
- Fitting depth including plasterboard and tiles is 60mm - 75mm.
- Supplied with a wall outlet.
- 15mm inlet connections.
- 5 year parts and 1 year labour guarantee for peace of mind.

Product Certifications:

Specification

Finish/Colour:	Chrome
Main Construction Material:	Brass
No of Controls:	2
Shower Type:	Recessed Valve
Shower Head Type:	None
Valve/Cartridge Type:	Thermostatic Cartridge & 3/4" Ceramic Disc Valve
Maximum Hot Water Supply Temperature °C:	65
Plumbing System Suitability:	Suitable for all plumbing systems
Minimum Dynamic Pressure (bar):	0.2
Maximum Dynamic Pressure (bar):	5.0
Maximum Static Pressure (bar):	10
Connection Inlet:	15mm Compression
Connection Outlet:	15mm Compression
Isolation Valve Included:	No
Check Valve Included:	Yes

Dimensions (measurements in mm)



Flow Rates (l/min)

System Pressure (bar)	0.2	0.5	1	2	3	5
Outlet 1	7.5	14.1	21	30.5	37.4	48.2

TECHNICAL
DATA
SHEET



BRISTAN

D1