

ST PUMP20SG

Accessories 2.0 Bar Single Ended Shower Pump By Stuart Turner



Specification

Pump Type:	Single speed single impeller
Power Supply:	230 Volts AC
Power Consumption:	215 Watts
Inlet Connection:	Flexible hose - 15mm push fit
Outlet Connection:	Flexible hose - 15mm push fit
Supply:	Suitable for gravity fed systems only
Max. Head Inlet:	10 Meters
Max. Head (closed valve):	19 Meters
Motor Rating:	30 minutes on / 30 minutes off
Max. Working Pressure:	3.0 Bar
Pump Rating:	2 Bar / 17 LPM
Max. Inlet Water Temperature:	65°C

Features:

- Single impeller for boosting one water supply
- Fully automatic flow switch control - pump automatically starts when flow of water exceeds 0.8 litres per minute.
- Pump rated at 2 bar pressure, equivalent to 20 meters head height
- High boost performance
- Low noise - fitted with anti-vibration feet.
- Min. inlet water temperature - 4°C
- Max. inlet water temperature - 65°C
- Max. number of starts per hour - 60
- Max. ambient air temperature - 40°C

Product Certifications:

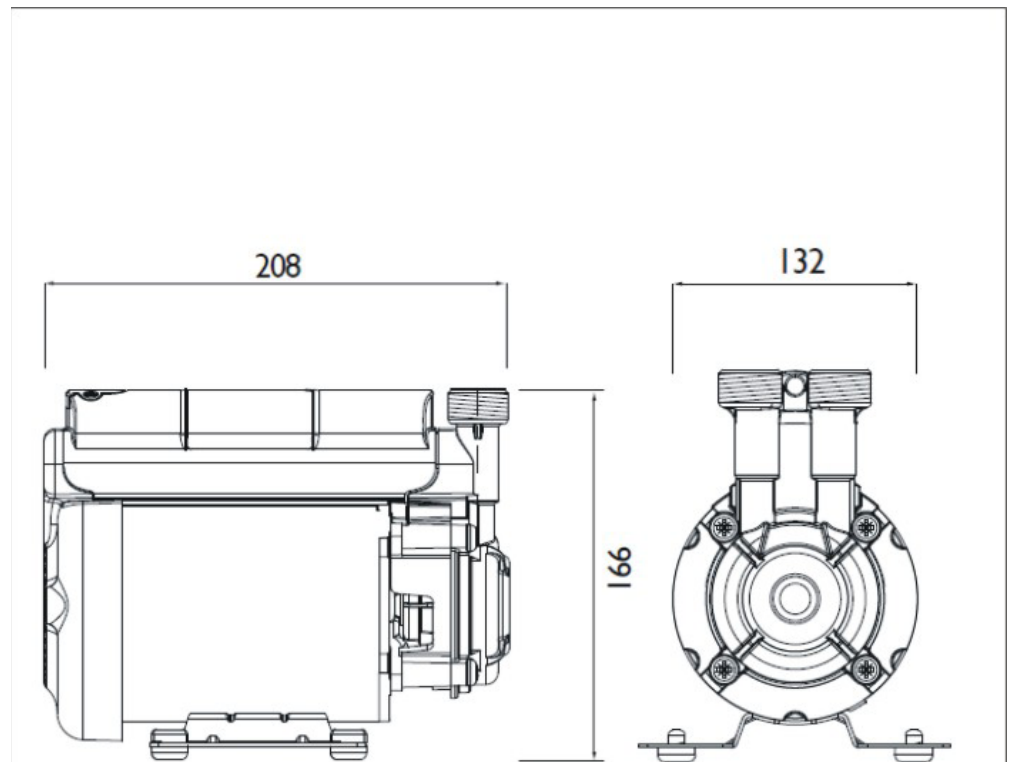


WRAS Cert. Number: 2007386
WRAS Expiry Date: 31/07/2025

For more products, visit our website:
<http://www.bristan.com>



Dimensions (measurements in mm)



TECHNICAL DATA SHEET



BRISTAN

D3