



## ILLUSTRATED

QM541541 METRA TOWEL RING CHROME

## CONFIGURATIONS

## MATERIAL

Wall Bracket: Hot Forging Brass

Towel Ring: Hot Forging Brass

Backplate: Zinc Plated Pressed Mild Steel

## COLOURS

Bright Chrome Plated

## WEIGHT

1.2lb (556g)

## PACKAGING

N/A

## FREQUENTLY USED APPLICATIONS

Residential

Hotels

## FEATURES

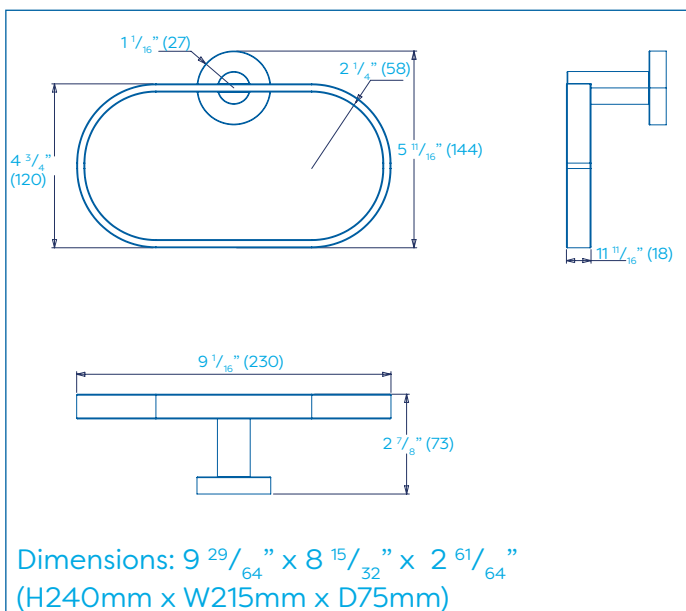
High quality chrome plated finish.

All fixings included.

## CARE AND MAINTENANCE

Clean surfaces with a damp cloth and wipe dry using a soft cloth.

Do not use chemical or abrasive cleaners as these may damage the surface finish.



## GUARANTEE

Consumer Statutory Rights Apply