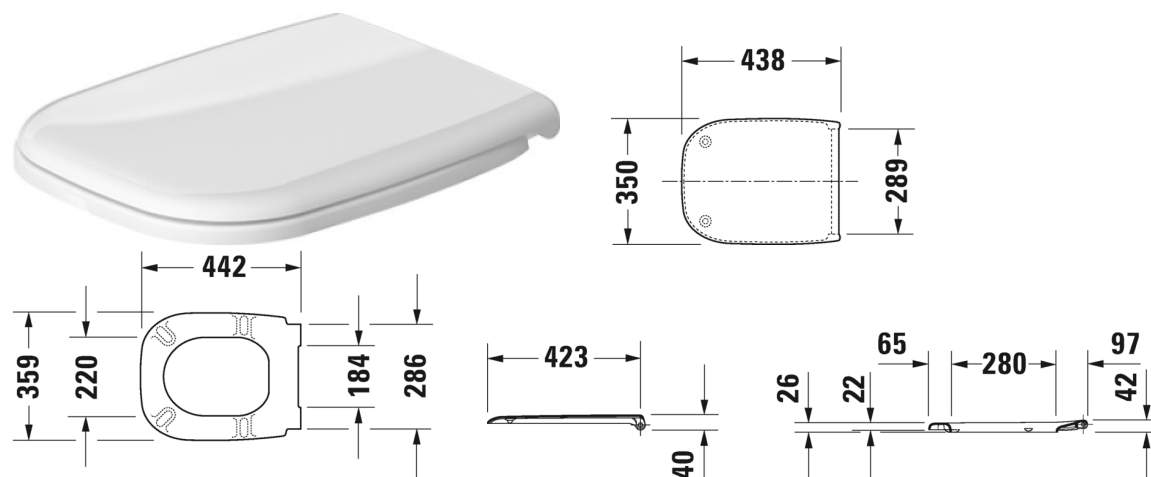


Toilet seat and cover # 0067390000 / 0067390099



Toilet seat and cover	Dimension	Weight	Order number
hinges plastic, with automatic closure			
Colors			
00 White Alpin			
Variant			
		1.900 kg	0067390000
		1.900 kg	0067390099

All drawings contain the necessary measurements which are subject to standard tolerances. Exact measurements, in particular for customised installation scenarios, can only be taken from the finished ceramic piece.