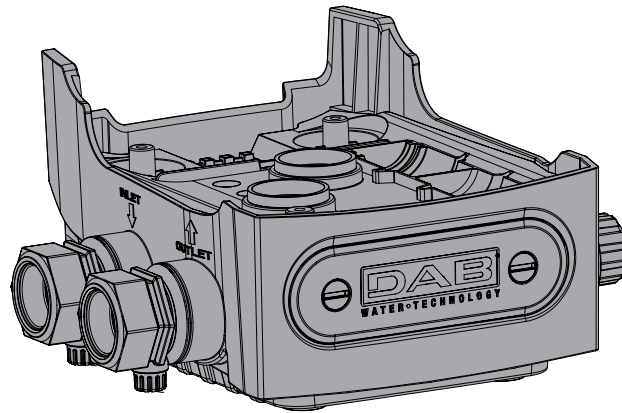
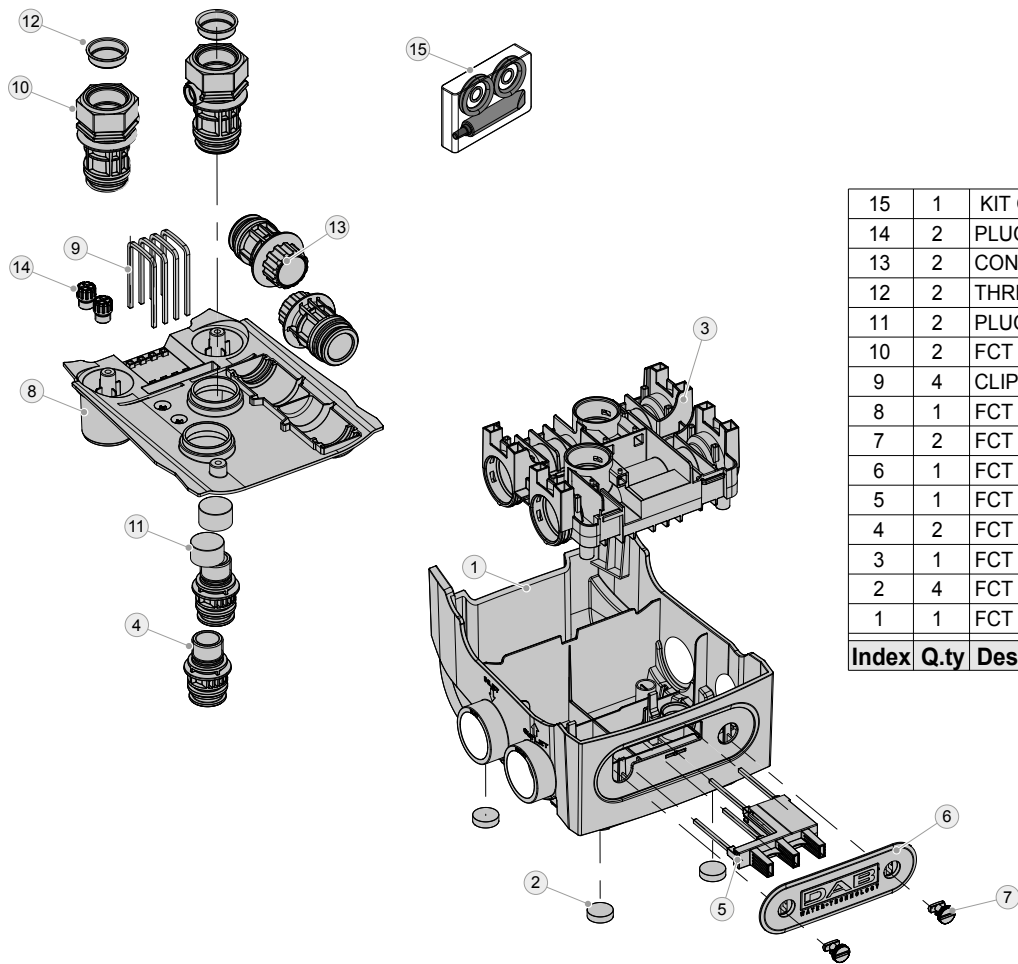
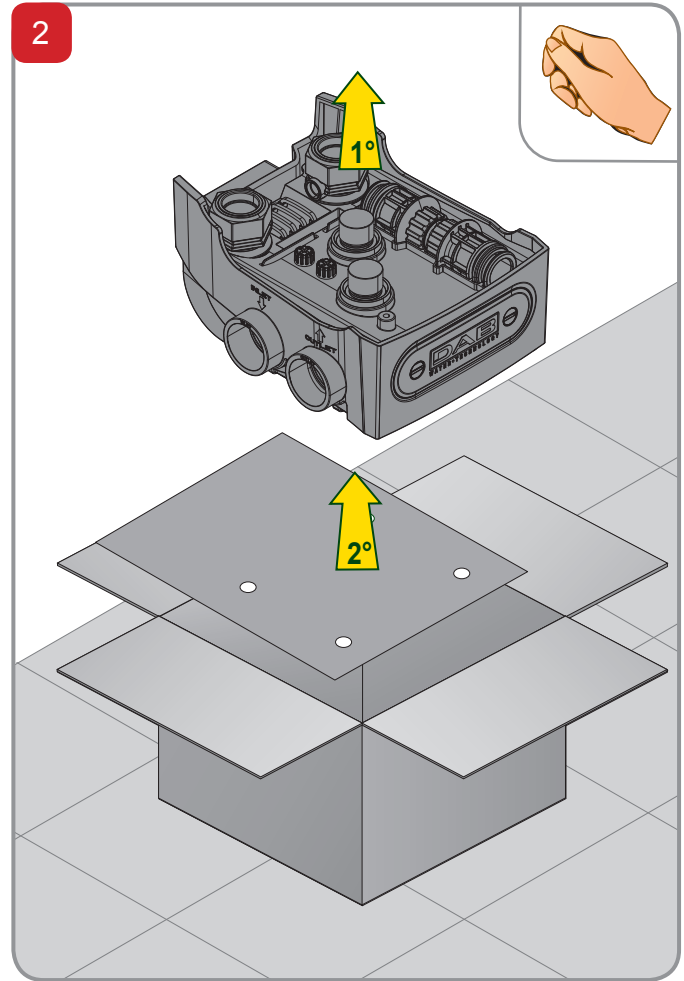
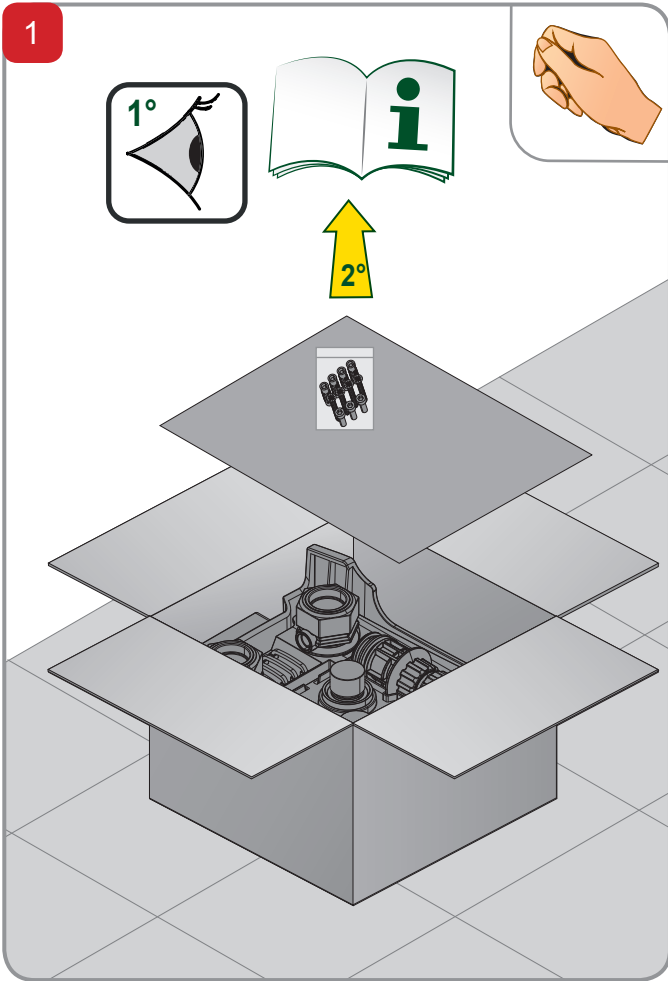


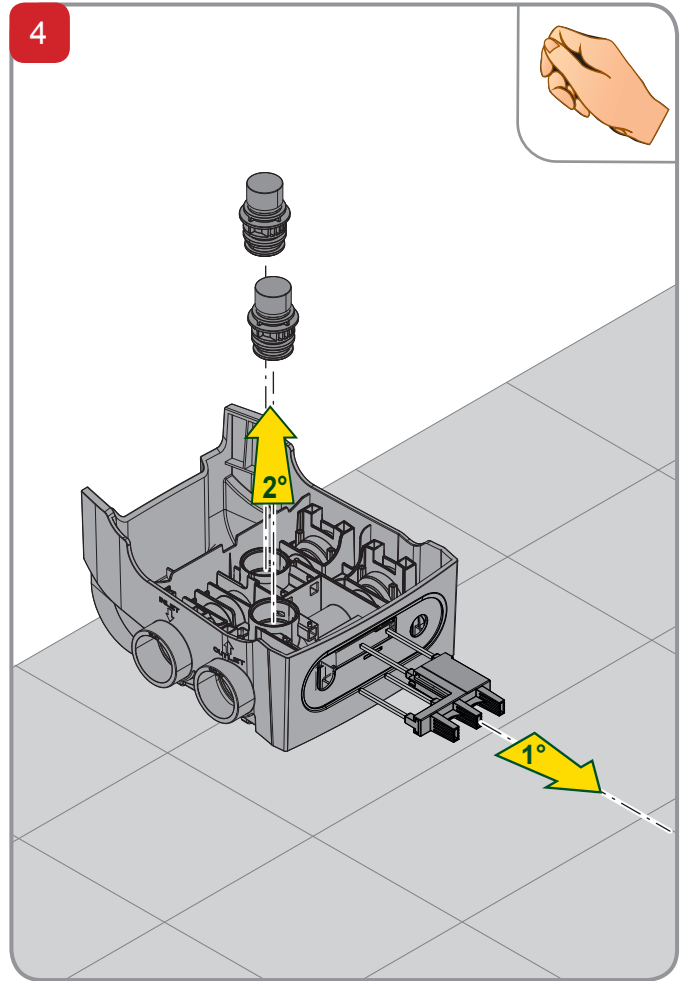
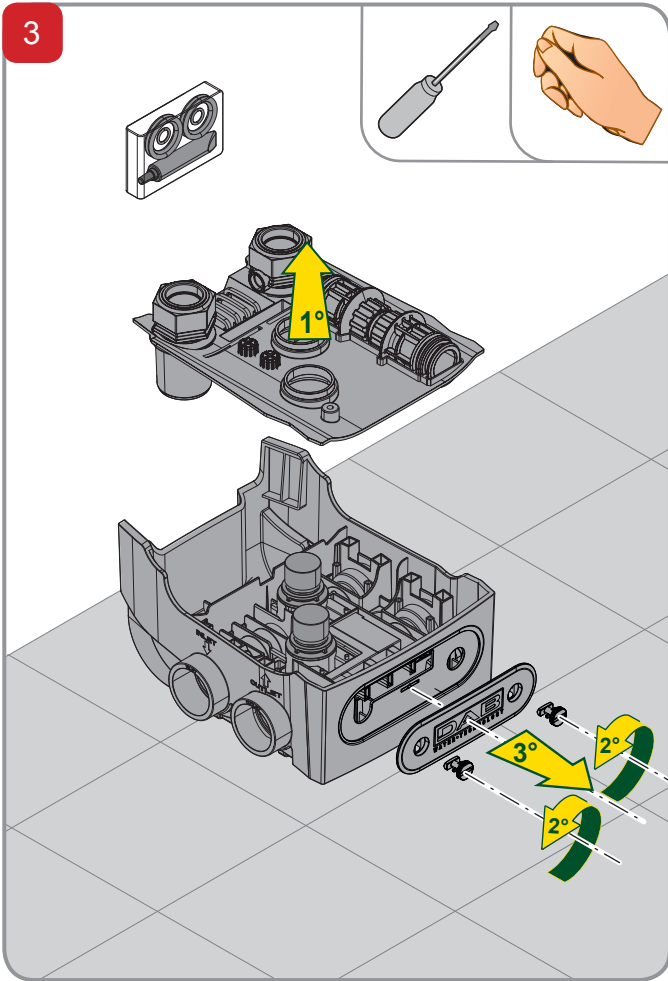
e.sydock





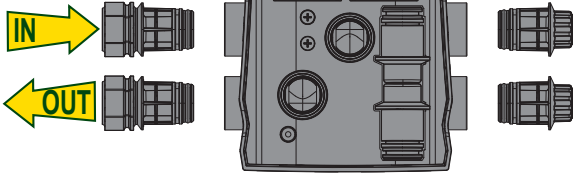
15	1	KIT O-RING FCT
14	2	PLUG 3/8 BLACK CROSS -PA66+30GF
13	2	CONNECTION CUP FITTING FCT
12	2	THREAD GUARD PLUG D.1 1/4
11	2	PLUG FOR PIPE 1
10	2	FCT EXTERNAL FITTING
9	4	CLIP - SQUARE SECT.4 - SPAN 41,5
8	1	FCT COVER
7	2	FCT LOGO PLATE STOPPER
6	1	FCT LOGO PLATE
5	1	FCT RETAINER DEVICE
4	2	FCT INTERNAL FITTING
3	1	FCT MANIFOLD
2	4	FCT RUBBER FOOT
1	1	FCT SUPPORT BASE
Index		Q.ty Description



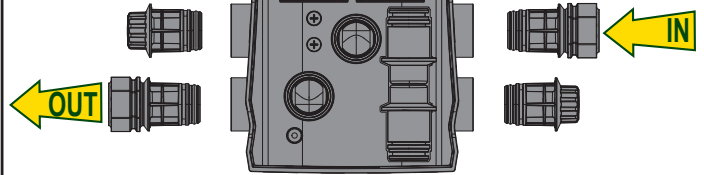


5

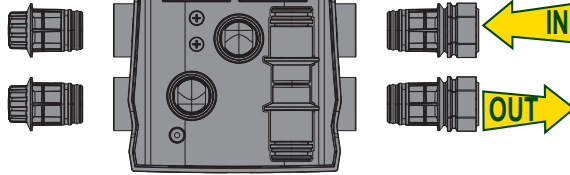
OK



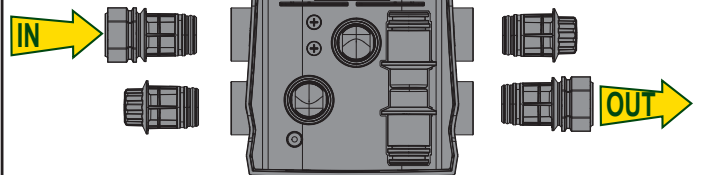
OK



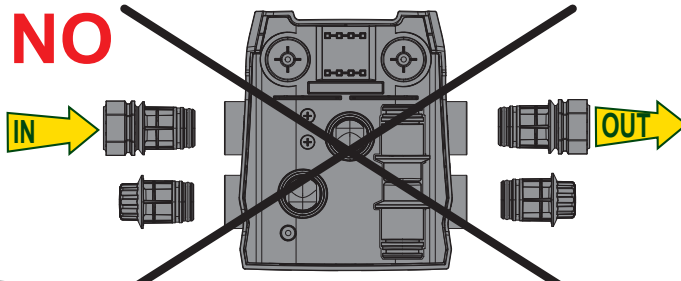
OK



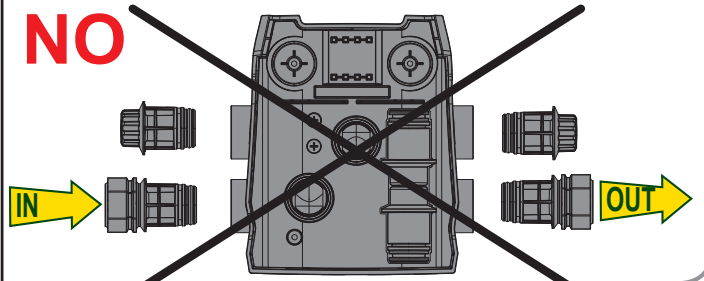
OK



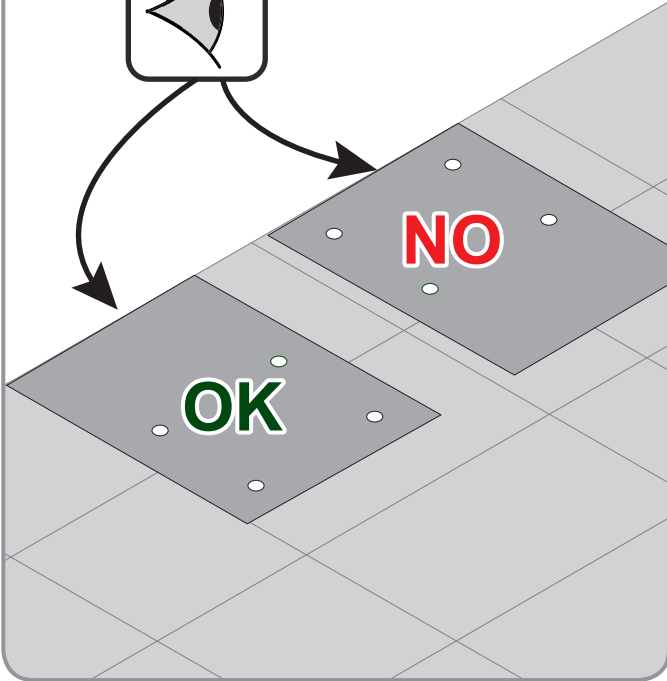
NO



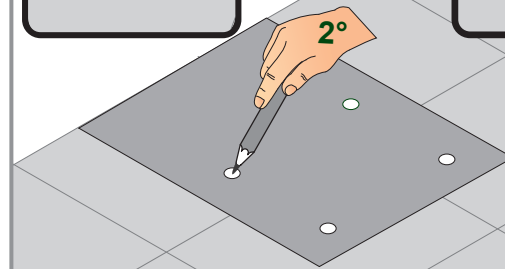
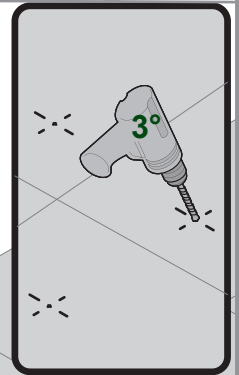
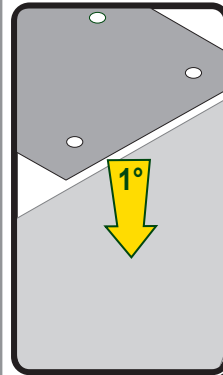
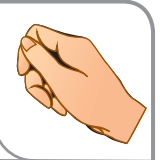
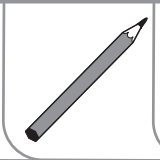
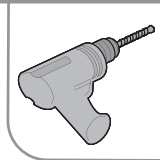
NO

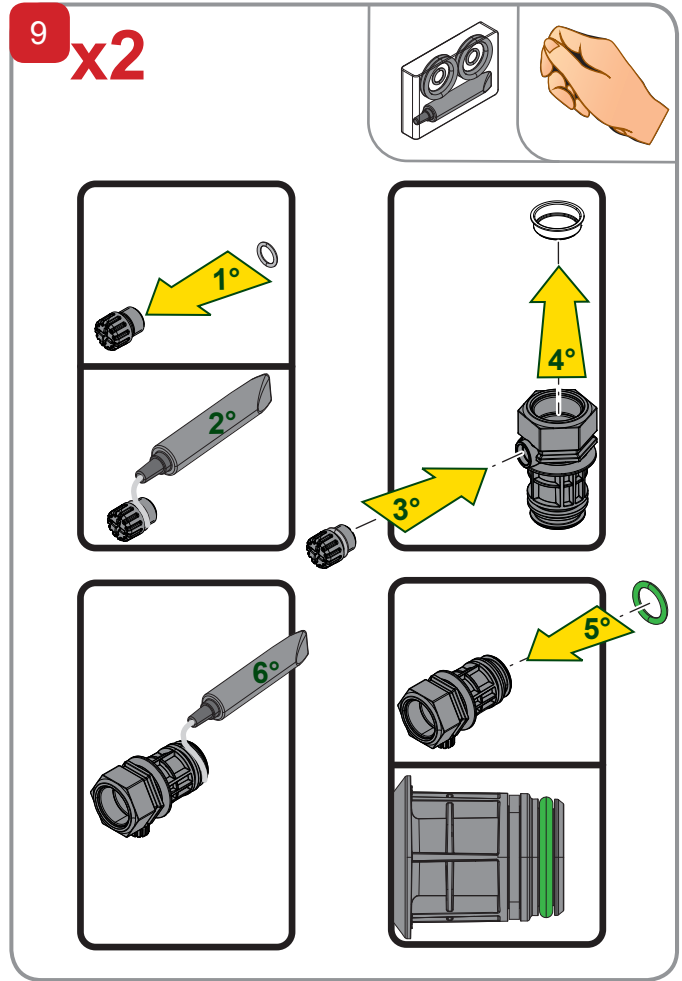
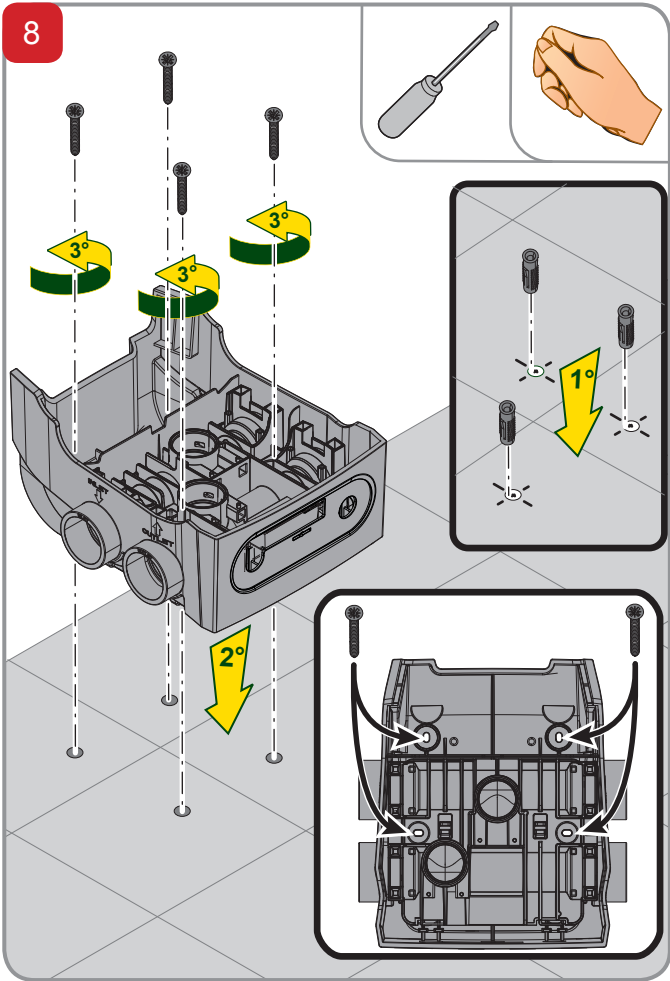


6

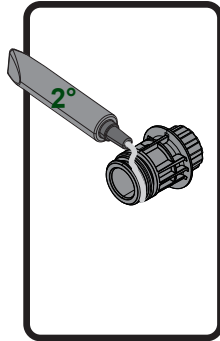
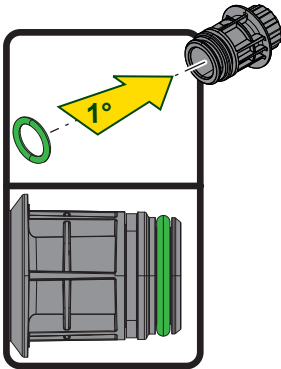
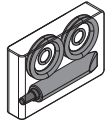


7

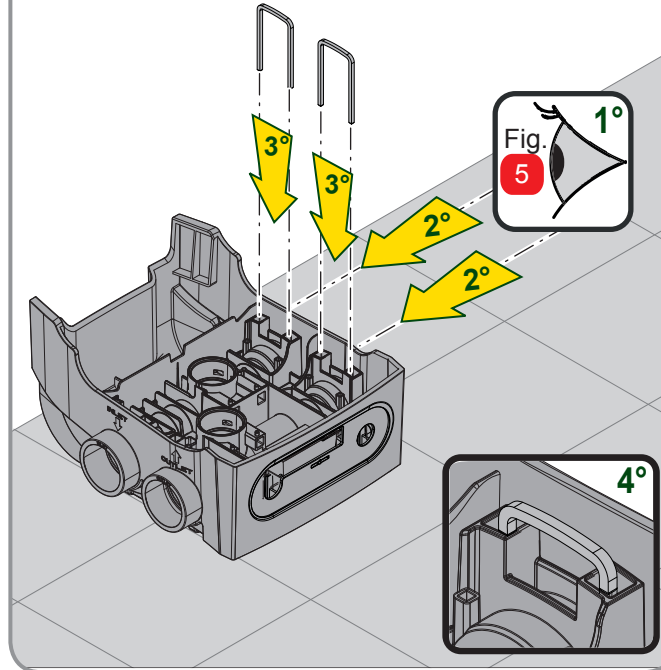
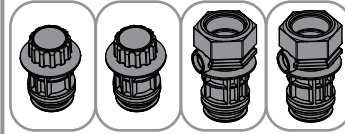




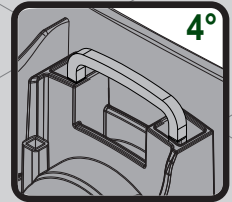
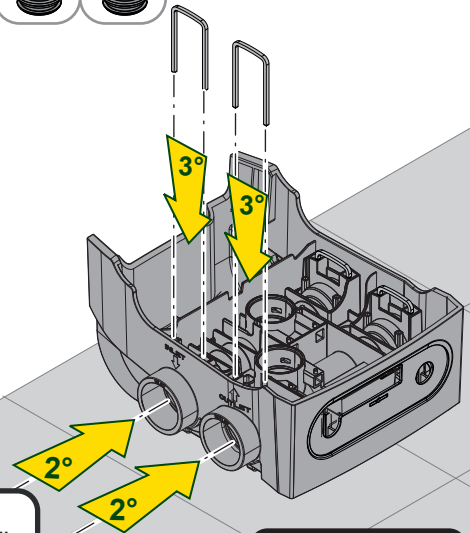
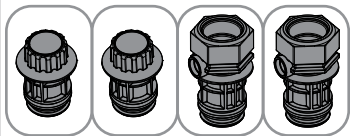
10 **x2**



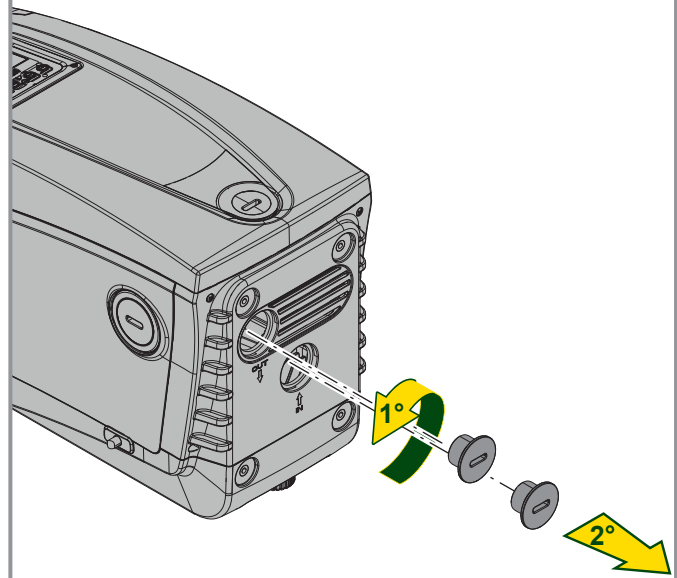
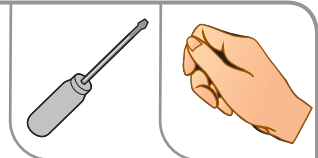
11



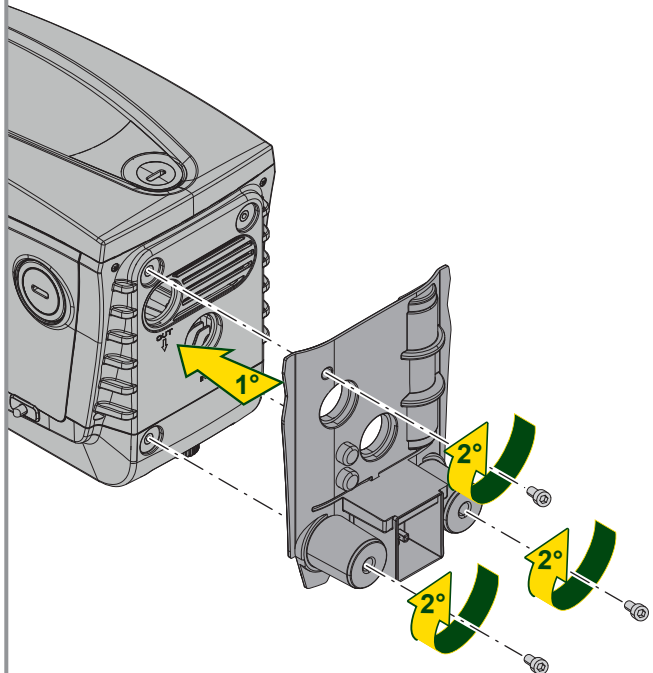
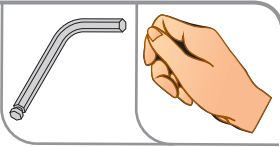
12



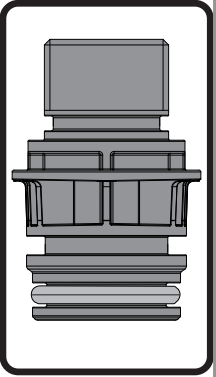
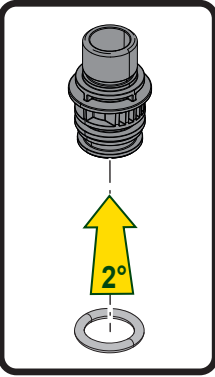
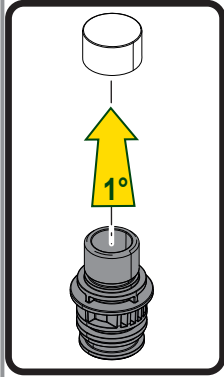
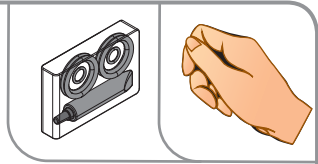
13



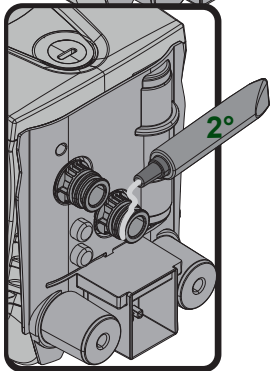
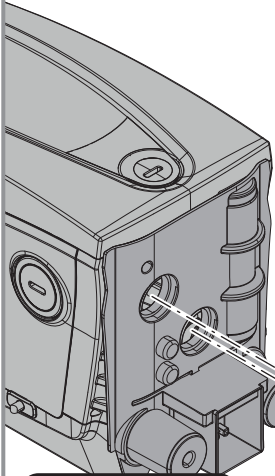
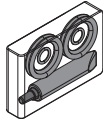
14



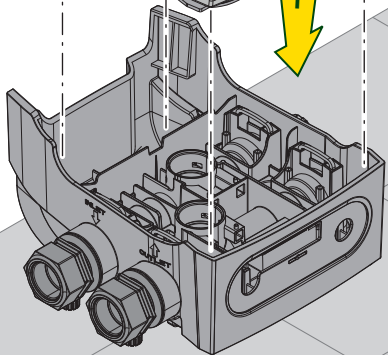
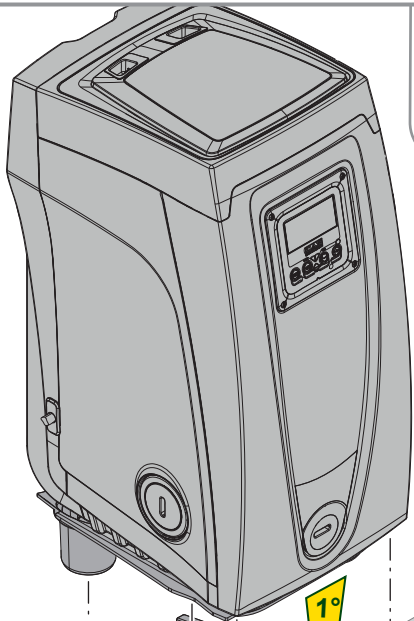
15



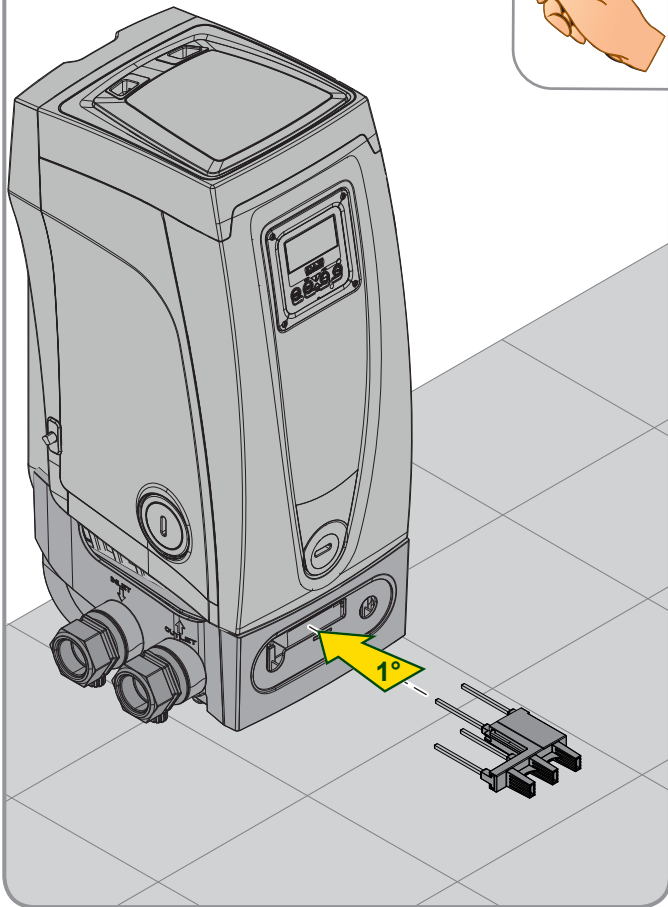
16



17



18



19

