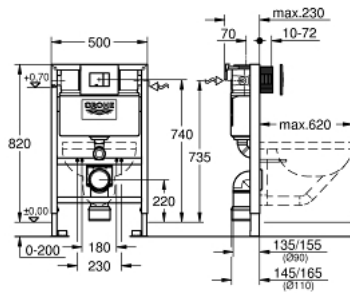


38 773 20A RAPID SL 3-IN-1 SET FOR WC, 0.82M INSTALLATION HEIGHT

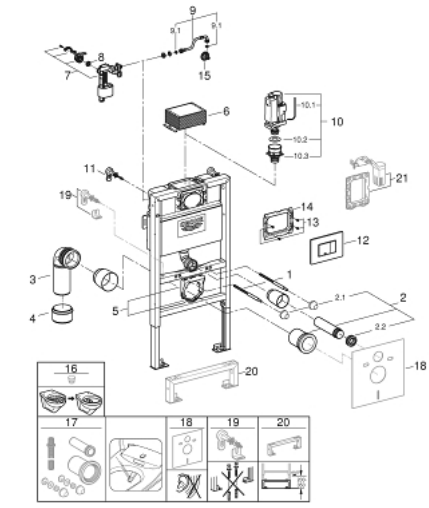


PRODUCT DESCRIPTION

- with flushing cistern 6 - 3 l
- including WRAS approved filling valve
- Consisting of:
 - Rapid SL element for WC (38 526 000)
 - Skate Cosmopolitan flush plate, chrome (38 732 000)
 - front wall brackets (38 558 00M)



38 773 20A RAPID SL 3-IN-1 SET FOR WC, 0.82M INSTALLATION HEIGHT



SPARE PARTS, December 2021 – now

- 1: Threaded bolt (Spare part-nr. 4276400M)
- 2: WC inlet and outlet connecting set (Spare part-nr. 37311K00)
- 2.1: Basin fastening (Spare part-nr. 43511SH0)
- 2.2: Connector (Spare part-nr. 37119000)
- 3: PP-outlet bend Ø 90 mm (Spare part-nr. 42327000)
- 4: 4" outlet adaptor for Rapid SL (Spare part-nr. 42242000)
- 5: Support for outlet bend (Spare part-nr. 42243000)
- 6: inspection shaft for flushing cistern (Spare part-nr. 42326000)
- 7: filler valve UK (Spare part-nr. 42649000)
- 8: membrane UK (Spare part-nr. 4265000M)
- 9: Overflow Sleeve (Spare part-nr. 43325000)
- 9.1: O-Ring (Spare part-nr. 0319100M)
- 10: Discharge valve AV1 complete (Spare part-nr. 42314000)
- 10.1: Pneumatic hose (Spare part-nr. 42319000)
- 10.2: Sealing washer (Spare part-nr. 42310000)
- 10.3: Valve seat for GD2 (Spare part-nr. 42315000)
- 11: Front wall brackets (Spare part-nr. 3855800M)
- 12: Top plate with push button (Spare part-nr. 42371000)
- 13: Screw (Spare part-nr. 6636200M)
- 14: Frame (Spare part-nr. 43207000)
- 15: Water Connection (Spare part-nr. 48561000)
- 16: Flow restrictor (Spare part-nr. 42300000)*
- 17: Retrofit kit for shower toilets Sensia Arena and IGS (Spare part-nr. 40899000)*
- 18: Set for noise protection (Spare part-nr. 37131000)*
- 19: Xtra wall brackets, flexible placing (Spare part-nr. 38733000)*
- 20: Flush pipe extension (Spare part-nr. 38629000)*
- 21: Dual flush valve set (Spare part-nr. 38796000)*

* Optional accessories