

# VAL2 DSM C CD

**VALUE Tap Range**  
Lever Deck Sink Mixer Chrome  
With Ceramic Disc Valves



## Specification

<b>Product Type:</b>	Kitchen Taps
<b>Main Construction Material:</b>	Brass
<b>Mount Type:</b>	Deck
<b>Handle Type:</b>	Lever
<b>Connection Inlet:</b>	1/2" BSP
<b>Connection Outlet:</b>	Flow Straightener
<b>Number of Tap Holes:</b>	2
<b>Valve/Cartridge Type:</b>	1/2" Ceramic Disc Valve - 1/4 turn
<b>Plumbing System Requirements:</b>	Suitable for all plumbing systems
<b>Minimum Dynamic Pressure:</b>	0.2 bar
<b>Maximum Dynamic Pressure:</b>	0.5 bar
<b>Maximum Hot Water Temperature: °C</b>	65
<b>Maximum Static Pressure: (bar)</b>	10
<b>Flow Type:</b>	Single
<b>Isolation Included:</b>	No
<b>Check Valve Supplied:</b>	No

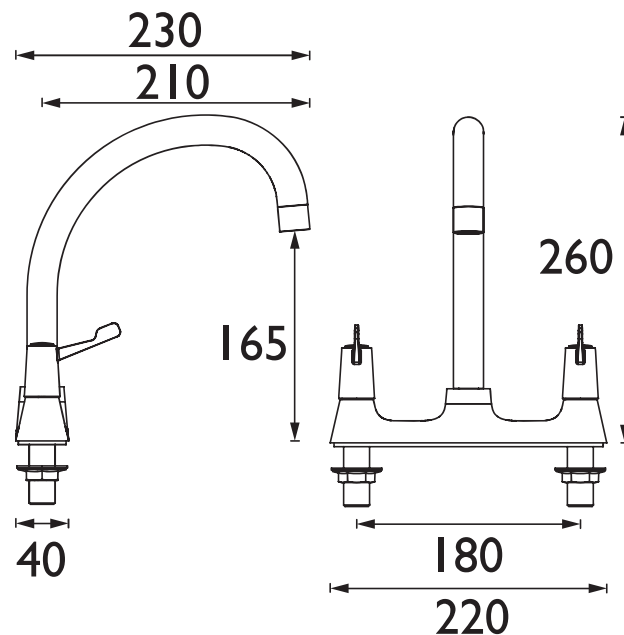
## Features:

- Long life and easy to use 1/4 turn ceramic disc valves
- Supplied with 3" (76mm) metal lever handles
- Metal back nuts for added durability

## Product Certifications:



## Dimensions (measurements in mm)



For more products, visit our website:  
<http://www.bristan.com>



## Flow Rates (l/min)

System Pressure (bar)	0.2	0.5	1	2	3	5
Hot	7.7	13.4	19.3	27.4	33.6	43.3
Cold	7.8	13.6	19.6	28.0	34.4	44.4
Mixed	13.5	22.9	32.9	47.1	57.3	73.2

**TECHNICAL  
DATA  
SHEET**



**BRISTAN**

D1